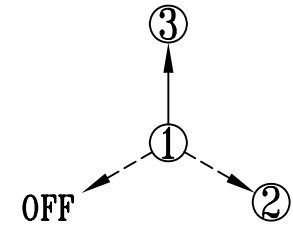
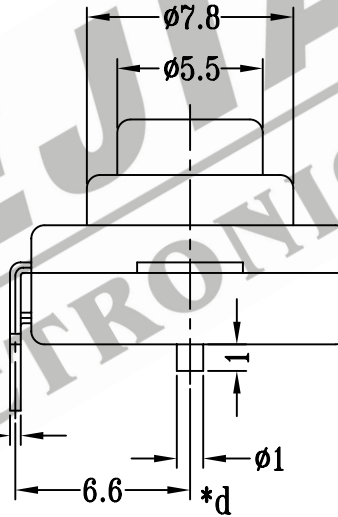
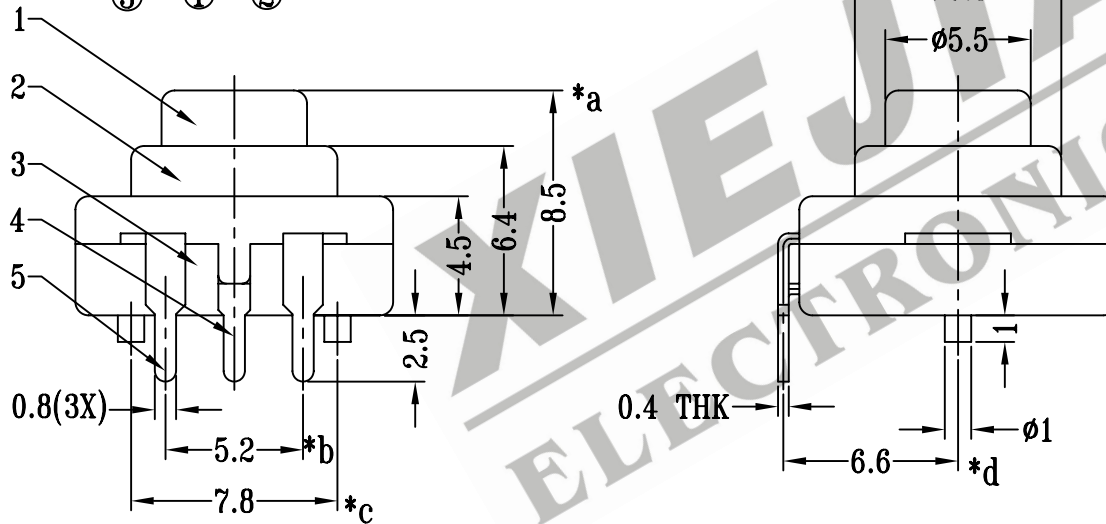
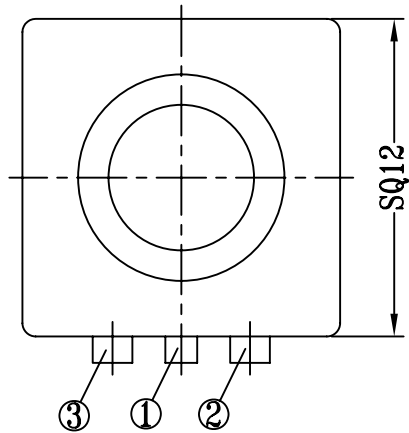
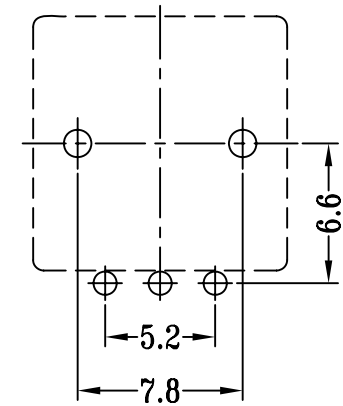


CAD FILE:



SCHEMATIC



P.C.B LAYOUT

注:带"*"表示关键尺寸(4个)

9	SPRING B	SUS	1	TEMPER
8	SPRING A	SUS	1	Ag PLATED
7	CONTACT	BRASS STRIP	1	Ag PLATED
6	SLIDER	POM	1	BLACK
5	TERMINAL	BRASS STRIP	2	Ag PLATED OVER Ni PLATED
4	CONTACT	BRASS STRIP	1	Ag PLATED OVER Ni PLATED
3	CASE	POM	1	BLACK
2	COVER	POM	1	BLACK
1	KNOB	POM	1	BLACK
NO.	PARTS	MATERIALS	Q'TY	FINISH

TOLERANCE UNLESS SPECIFIED		SHENZHEN XIEJIA ELECTRONICS CO.,LTD.		
WITHIN : 1.5±0.1mm		ISSUE	DATE	DESCRIPTIONS OF REVISION
OVER : 1.5±0.2mm				APPD.
TITLE : VERTICAL PUSH SWITCH		UNIT : mm	DRWG NO.: XJ-DR-PB11D03-00	
MODEL: PB-11D03		SCALE: 7:2	DWN. ZHOUYU	2002-9-17
ALL MATERIALS MUST BE COMPLIANT TO ROHS			CHK'D FANGYING	2002-9-17
			APPD. KANGXINAN	2002-9-17